

OPERATION MANUAL

TYPE : KXBC · KXBC-S

EXPLOSION PROTECTED TYPE
CABLE GLAND
(PACKING TYPE UNION)

IECEX TIIS 21.0004X

 EX KOKUSAN co., Ltd.

7-7-11. Nishigotanda Shinagawa-ku, Tokyo 141-0031, Japan

TEL : 03 (3490) 5811

FAX : 03 (3490) 7164

ID	C-2112	Rev.	4
DAY	2023. 12. 27		

Standard specifications

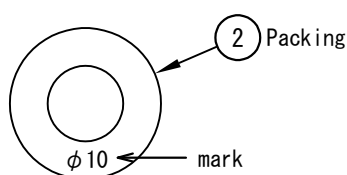
1. Preparation : Work in a location where there is no explosive atmosphere
2. assembly : See P. 2 attached sheet
3. Specifications : Each specification is shown in the drawing
4. COT : $-40^{\circ}\text{C} \sim +95^{\circ}\text{C}$
5. Standards : The cable glands comply with the following standards
IEC 60079-0:2017(ed. 7. 0), IEC60079-1:2014(ed. 7. 0)
IEC 60079-7:2017(ed. 5. 1)
6. Contact information: Described on the cover
7. Ingress protection : Without entry gasket and washer : IP64
With entry gasket : IP66/IP67
With entry gasket and washer : IP66/IP67

Requirements for threaded in to equipment

- Thread Fit Tolerance : G : A Class, M : H6, NPT : None specified
- Material restrictions for equipment : None
- Surface roughness of non-threaded flampaths : $Ra25\mu$ or less
- Equipment lead-in section wall thickness
G : 8 or more thread, M : 8 or more thread, NPT : 5 thread
- verticality of the equipment lead-in section : 0.5mm or less

Selection of packing

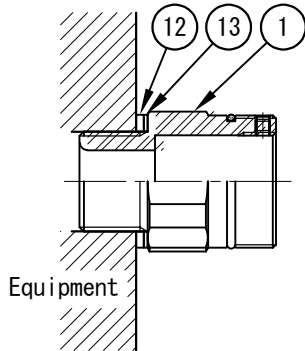
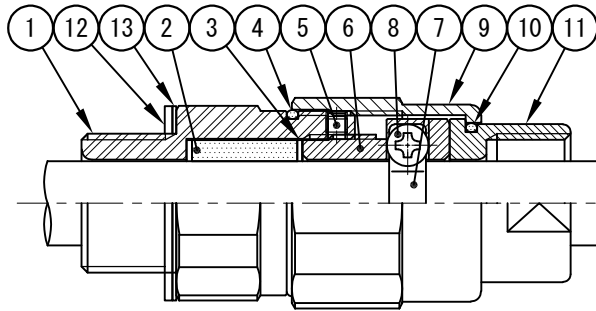
- Measured cable outside diameter in 2 directions up to 0.1 mm unit
- Determine the average value in the two directions and select a packing whose value falls within the applicable cable diameter range from the list of attachments.



Packing Mark	Applicable Cable Diameter		Tightening torque [N·m]
	Min	Max	
φ 8	7.0	8.0	15
φ 9	8.1	9.0	18
φ 10	9.1	10.0	18
φ 11	10.0	11.0	20
φ 12	11.0	12.0	20
φ 13	12.1	13.0	23
φ 14	13.1	14.0	23
φ 15	14.1	15.0	25
φ 16	15.1	16.0	25

OPERATION MANUAL

NO.	Parts name
13	Washer
12	Gasket
11	Union coupling
10	O Ring
9	Union cover
8	Cross recessed head screw
7	Clamp
6	Gland
5	Hexagon socket set screw
4	O Ring
3	Washer
2	Rubber Packing
1	Body

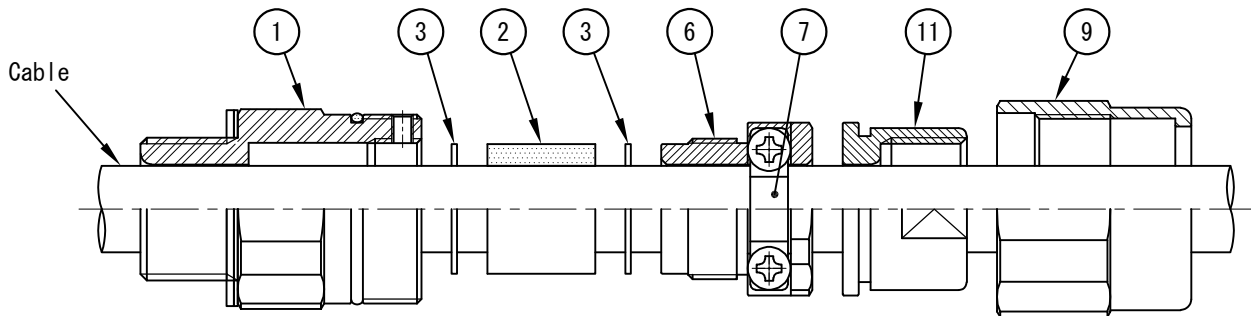


※ Parallel thread

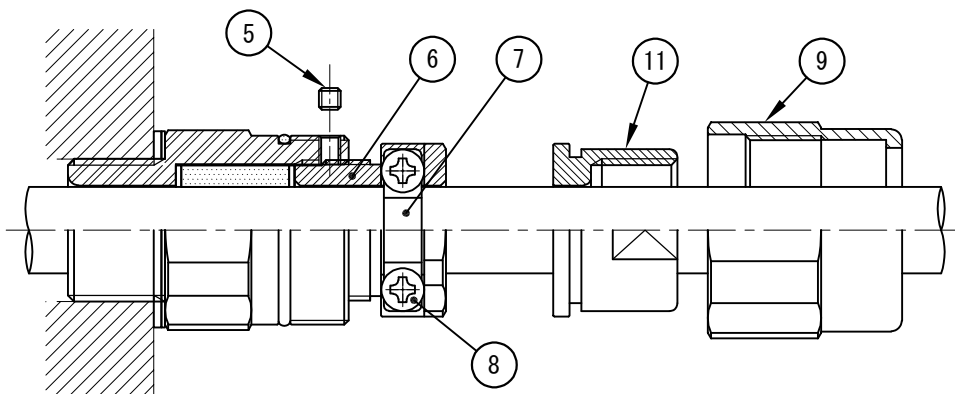
Use a tool with 8 or more threads (8 or more revolutions) to firmly screw the ① into the equipment.
 (Recommended torque: 5.0 N·m over)
 Do not over tighten the gland body.
 Make sure that the Gasket does not protrude.

※ Tapered thread

Use a tool with 3.5 or more threads (3.5 or more revolutions) to firmly screw the ① into the equipment.
 (Recommended torque: 15.0 N·m over)



Route ⑨, ⑪, and ⑥ through the cables to be used.
 Then, loosen ⑦.



Insert ③, and ② into ①, and screw ⑥ in, and then the cable is fixed by the close contact of ②.

Then, screw 1 more turn ⑥ firmly and compress ②. (See drawing for recommended torque)

Next, screw in and lock ⑤ with a hex wrench.

Tighten ⑦ with ⑧ to secure the cable. (recommended torque is shown in the drawing)

Screw ⑪ and ⑨ firmly into ①.

Firmly screw the cable protection into the ⑪.